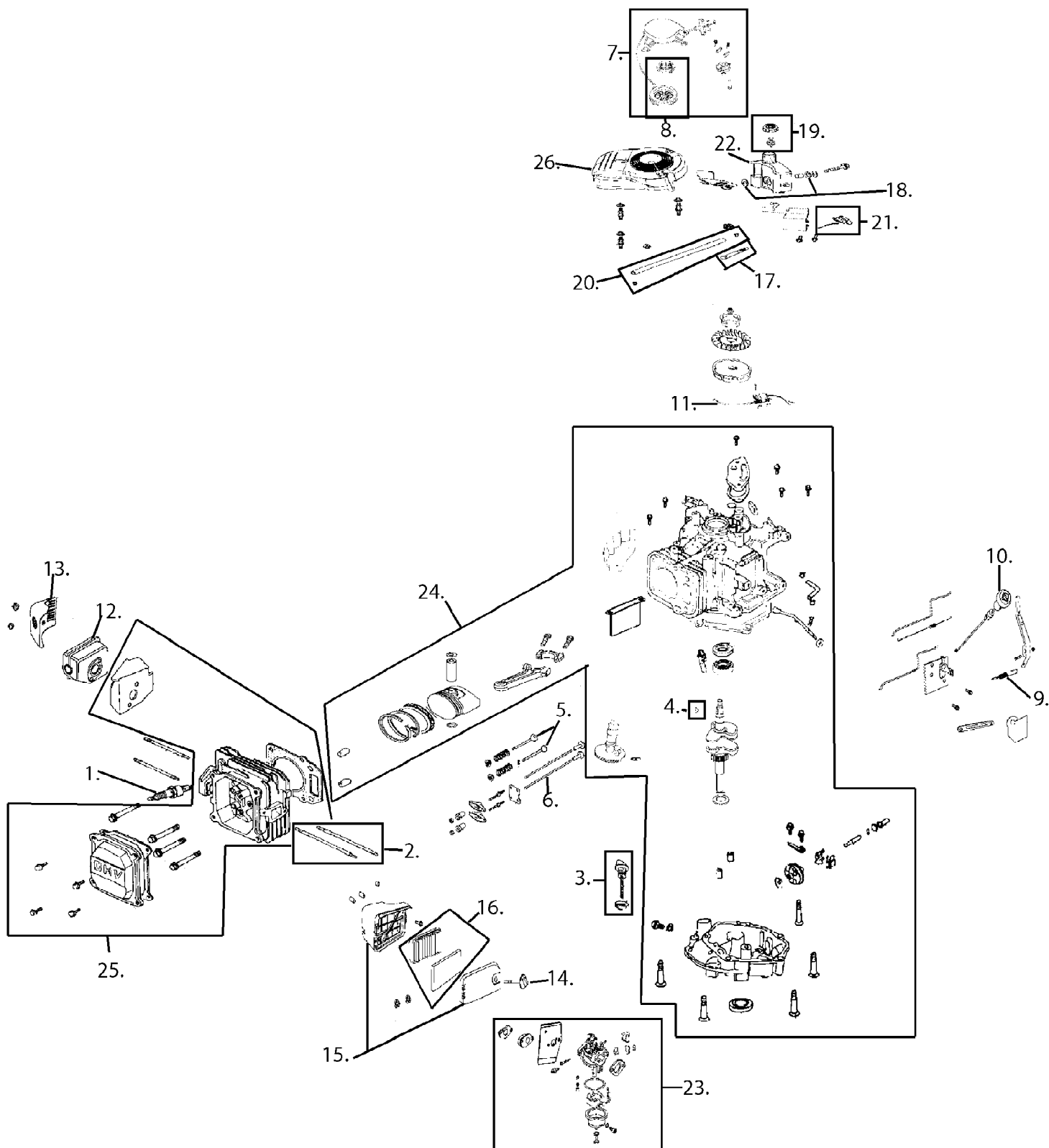


24AA5DMK000 (2007)
Engine

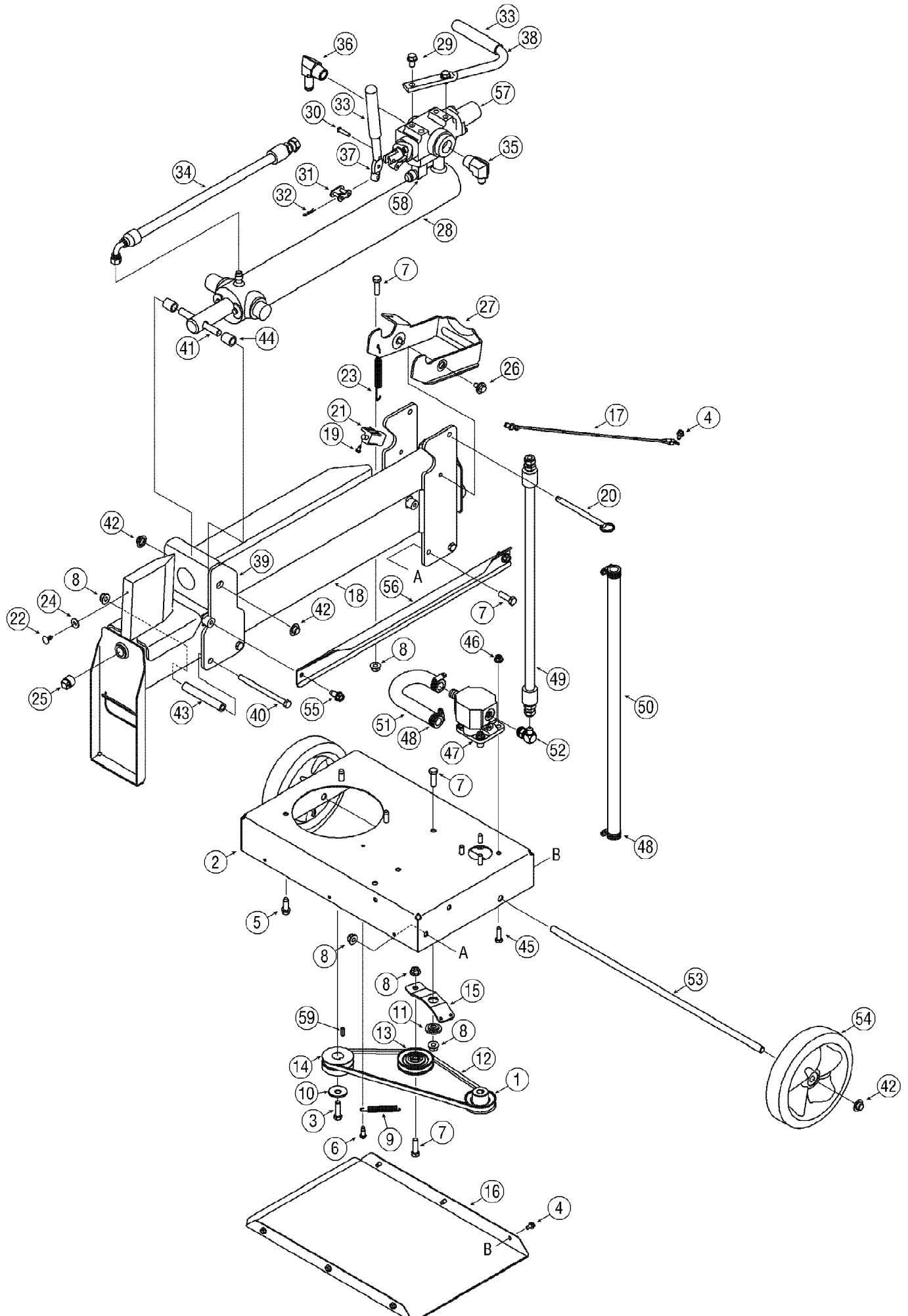
Page 1 of 7



24AA5DMK000 (2007)
Engine

Page 2 of 7

Ref #	Part Number	Qty	S/P/F	Description
1	951-10292	1	/P	Spark Plug
2	951-10304	1	/P	Muffler Stud Assembly
3	951-10617	1	/P	Dipstick Assembly
4	951-10307	1	/P	Flywheel Key
5	951-10313	1	/P	Valve Kit
6	951-10314	1	/P	Push Rod Kit
7	951-10299	1	S	Recoil Starter Assembly
8	951-10319	1	/P	Recoil Spring & Pulley Assembly
9	951-10618	1	/P	Governor Return Spring
10	951-10619	1	/P	Choke Control Knob
11	951-10620	1	/P	Ignition Coil
12	951-10403	1	/P	Muffler Assembly
13	951-10404	1	/P	Muffler Shield
14	951-10297	1	/P	Air Cleaner Thumb Screw
15	951-10305	1	/P	Air Cleaner Housing Assembly Complete
16	951-10298	1	/P	Air Cleaner Kit
17	951-10358	1	S	Fuel Filter
18	951-10335	1	/P	Rubber Fuel Tank Mounting Washer
19	951-10300	1	/P	Fuel Cap Assembly
20	951-10363	1	/P	Fuel Line Kit (Inc. Hose, Clamps & Filter)
21	951-10622	1	/P	Ignition Switch
22	951-10337	1	/P	Fuel Tank
23	951-10623	1	/P	Carburetor Assembly
24	951-10624	1	/P	Short Block Assembly
25	951-10625	1	/P	Cylinder Head Assembly
26	731-05692	1		Engine Shroud - Black
	951-10351	1	/P	Spark Arrestor
	951-10626	1	/P	Carburetor Kit - Minor Not shown, (Inc. Carburetor Insulator Plate Gasket, Bowl Gasket, Fuel Bowl Gasket, Needle Valve Spring, Needle Valve Float)
	951-10627	1	/P	Carburetor Kit - Major Not shown, (Inc. Bowl Gasket, Float, Dust Seals, Main Jet, Pilot Screw, Idle Speed Adjusting Screw, Needle Valve Spring, Float Pin, Fuel Cup Gasket, Fuel Drain Plug Gasket)
	951-10628	1	/P	Gasket Kit- External Not shown, (Inc. Breather Gasket, Valve Cover Gasket, Carburetor to Insulator Gasket, Carburetor Insulator Plate, Muffler Gasket, Crankcase Drain Bolt Washer, Dipstick O-Ring)
	951-10629	1	/P	Gasket Kit - Complete Not shown, (Inc. Upper & Lower Crankcase Seal, Governor Shaft Seal, Sump Gasket, Cylinder Head Gasket, Breather Mesh Screen, Breather Gasket, Valve Cover Gasket, Carburetor to Insulator Gasket, Carburetor Insulator Plate, Muffler Gasket, Crankcase Drain Bolt Washer, Dipstick O-Ring)
	752Z1P61L0	1	S	Complete Engine Not shown



24AA5DMK000 (2007)
General Assembly

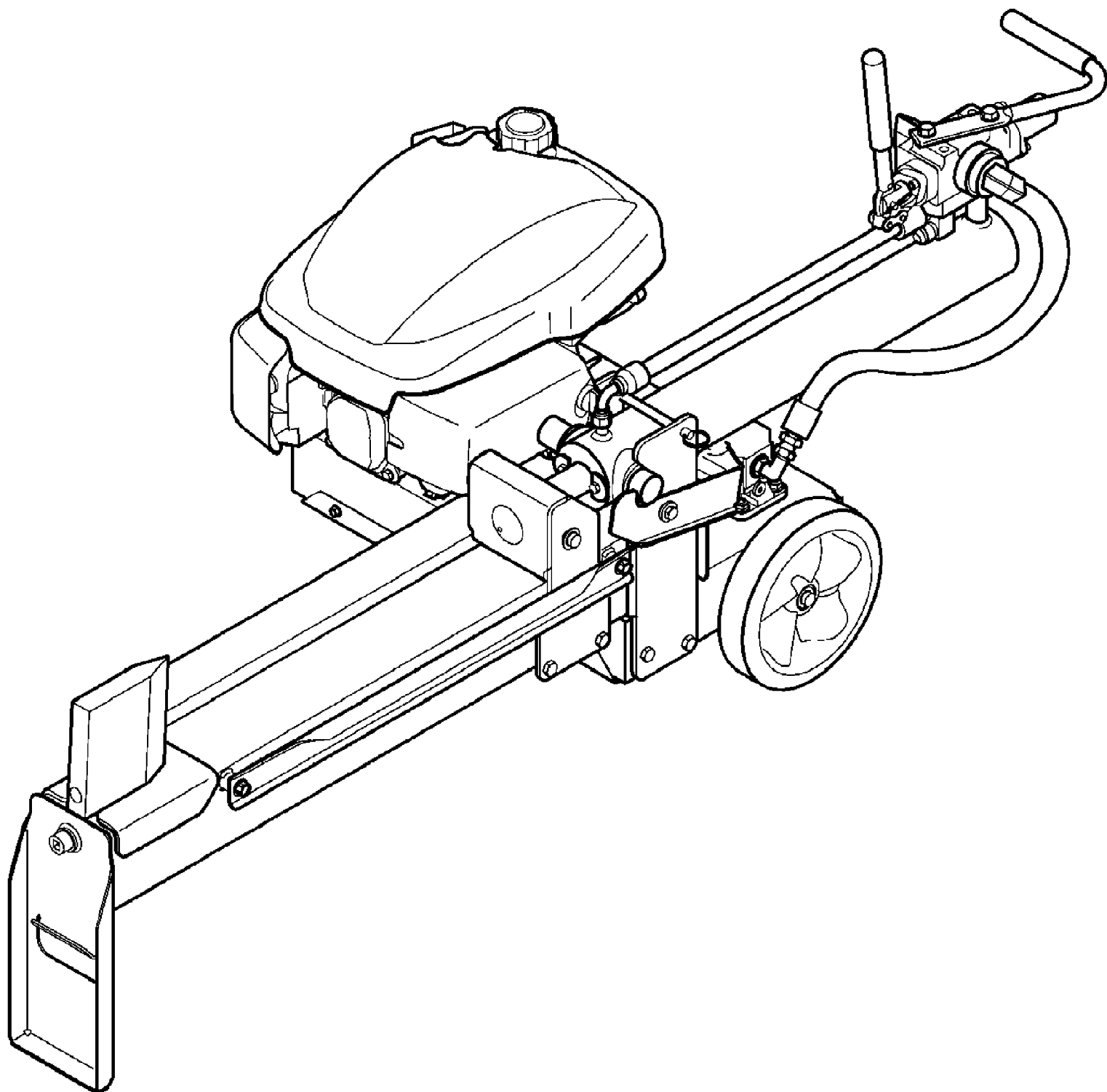
Page 4 of 7

Ref #	Part Number	Qty	S/P/F	Description
1	656-04037	1		Pulley, .50 ID x 2.38 OD
2	681-04065	1		Frame Assembly
3	710-0191	1	/P	Screw, 3/8-24 x 1.25
4	710-0653	1	/P	Tt Screw, 1/4-20 x .375
5	710-0654A	1	/P	Tt Screw, 3/8-16 x 1.00
6	710-1650	1	/P	Screw, Shldr., .30 x .46
7	710-3005	1	/P	Screw, 3/8-16 x 1.25
8	712-04065	1	/P	Nut, Flange Lock, 3/8-16
9	732-04217	1		Spring, Extension, .375 x 2.95
10	736-0452	1	S	Washer, Bell, .396 x 1.140 x .095
11	748-04125	1		Spacer, Shldr., .38 x .75 x .13
12	754-04128	1		Belt, V-Type, 3L, 33.92"
13	756-04133	1		Pulley, V-Idler, 2 x 2.75 x .625-3L
14	756-04304	1		Pulley, Idler
15	781-04132	1	S	Bracket, Idler, Belt
16	781-04161	1	S	Cover, Belt
17	629-04161	1		Harness, Interlock
18	681-04064	1	S	Tank Assembly
19	738-04237	1		Shoulder Screw, #10-16 x .500
20	711-04772	1		Pin, Locking
21	725-04363	1		Switch, Interlock
22	726-3046	1	/P	Clip
23	732-04085	1	/P	Spring, Extension, .480 OD x 5.0
24	736-04178A	1		Washer, Slotted, Felt
25	737-04148	1		Plug, Drain
26	738-0930	1	/P	Screw, Shldr., .560 x .165
27	781-04168	1	S	Bracket, Lock, Cylinder
28	718-04241	1	S	Cylinder
28	953-05611	1	/P	Kit-Seal 2.5" for Cylinder XINGHUI 718-04241 Installation instructions refer to Service Kit 753-05611
29	710-0870	1	/P	Screw, 3/8-16 x .625
30	711-04585	1		Pin, Clevis
31	713-04036	1	S	Link, Handle, Valve
32	714-0104	1	S	Pin, Cotter
33	720-04088	1	/P	Grip
34	727-04182	1		Hose, Valve, Cylinder
35	737-04155	1		Adapter, Hydraulic
36	737-04154	1		Adapter, Hydraulic
37	747-04539	1		Control, Valve, Hydraulic
38	747-04707	1	S	Handle, Rod
39	681-04087	1	S	Brkt., Assembly, Push
40	710-0615A	1	/P	Screw, 3/8-16 x .500
41	711-04762	1		Rod, Pivot, .497 x 4.160
42	726-0299	1	/P	Cap, Push
43	750-04668	1		Spacer, .385 x .625 x 4.07
44	750-04886	1		Spacer, .525 x .775 x .852
45	710-0376	1	/P	Screw, 5/16-18
46	712-04063	1	/P	Nut, Flange Lock, 5/16-18
47	718-04243	1	S	Pump, Gear
48	726-04079	1		Clamp, Hose
49	727-04154	1		Hose

24AA5DMK000 (2007)
General Assembly

Page 5 of 7

Ref #	Part Number	Qty	S/P/F	Description
50	727-04156	1		Hose, Return
51	727-04157	1		Hose, Inlet
52	737-04187	1		Fitting, Elbow
53	711-04575	1		Axle
54	734-1987	1	/P	Wheel
55	710-04484	1		Tt Screw, 5/16-18 x .750
56	781-04124	1	S	Bracket, Support
57	718-0481A	1	S	Valve
58	737-0192	1	/P	Adapter
59	714-0122	1	S	Key
		1		Tow Hitch Kit (Optional)



24AA5DMK000 (2007)
Quick Reference

Page 7 of 7

Ref #	Part Number	Qty	S/P/F	Description
	951-10292	1	/P	Spark Plug
	NA	1		Pre Filter
	951-10298	1	/P	Air Filter (air cleaner kit)
	951-10358	1	S	Fuel Filter
	NA	1		Hydraulic Filter
	NA	1		Inlet Filter
	NA	1		Vented Dipstick
	NA	1		Flexible Coupling
	NA	1		Adjustable Gibbs
	754-04128	1		Belt
	747-04539	1		Hydraulic Valve Control
	720-04088	1	/P	Grip
	913-04036	1	/P	Valve Handle Link
	NA	1		Chain
	NA	1		Hub Cap
	734-1987	1	/P	Wheel Assembly
	718-04241	1	S	Cylinder